

# Technical data sheet

## Product features



### Cooking range gas with gas oven

<b>Model</b>	<b>SAP Code</b>	00014803
--------------	-----------------	----------



- Device type: Gas unit
- Power consumption of the zone 1 [kW]: 8,5
- Power consumption of the zone 2 [kW]: 8,5
- Power consumption of the zone 3 [kW]: 8,5
- Power consumption of the zone 4 [kW]: 8,5
- Power consumption of the zone 5 [kW]: 4
- Power consumption of the zone 6 [kW]: 4
- Ignition: Eternal flame
- Type of internal part of the appliance 1 (eg oven): Gas
- Type of internal part of the appliance 2 (eg oven): Static
- Material: AISI 304 top plate and cladding

<b>SAP Code</b>	00014803	<b>Power consumption of the zone 1 [kW]</b>	8,5
<b>Net Width [mm]</b>	1200	<b>Power consumption of the zone 2 [kW]</b>	8,5
<b>Net Depth [mm]</b>	730	<b>Power consumption of the zone 3 [kW]</b>	8,5
<b>Net Height [mm]</b>	900	<b>Power consumption of the zone 4 [kW]</b>	8,5
<b>Net Weight [kg]</b>	136.70	<b>Power consumption of the zone 5 [kW]</b>	4
<b>Power gas [kW]</b>	48.000	<b>Power consumption of the zone 6 [kW]</b>	4
<b>Type of gas</b>	Natural gas, propane butane	<b>Type of internal part of the appliance 1 (eg oven)</b>	Gas
<b>Number of zones</b>	6	<b>Type of internal part of the appliance 2 (eg oven)</b>	Static

# Technical data sheet

Technical drawing

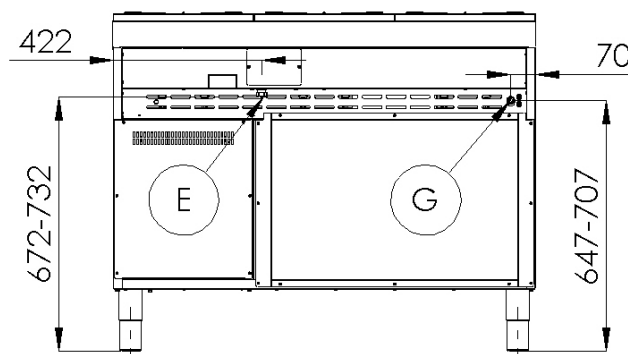
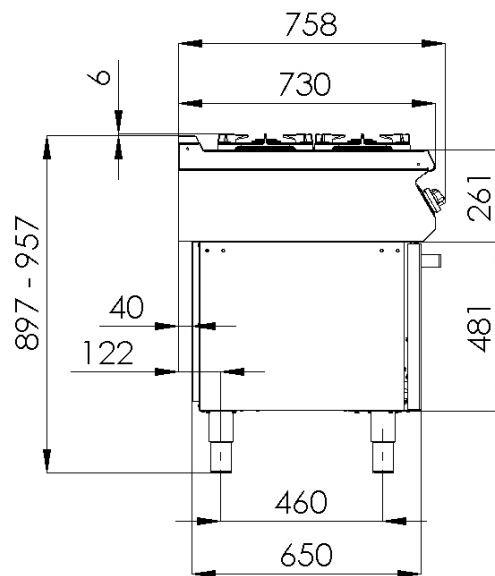
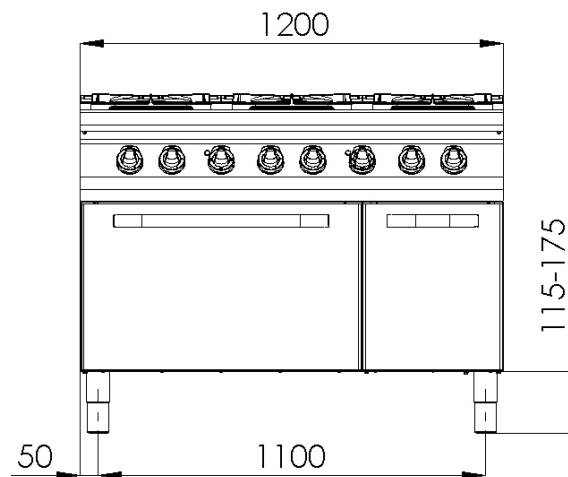


Cooking range gas with gas oven

Model

SAP Code

00014803



# Technical data sheet

Technical parameters



## Cooking range gas with gas oven

**Model**

**SAP Code**

00014803

**1. SAP Code:**

00014803

**2. Net Width [mm]:**

1200

**3. Net Depth [mm]:**

730

**4. Net Height [mm]:**

900

**5. Net Weight [kg]:**

136.70

**6. Gross Width [mm]:**

1260

**7. Gross depth [mm]:**

820

**8. Gross Height [mm]:**

1080

**9. Gross Weight [kg]:**

154.00

**10. Device type:**

Gas unit

**11. Construction type of device:**

Stationary

**12. Power gas [kW]:**

48.000

**13. Ignition:**

Eternal flame

**14. Type of gas:**

Natural gas, propane butane

**15. Exterior color of the device:**

Stainless steel

**16. Material:**

AISI 304 top plate and cladding

**17. Worktop type:**

Molded - comfortable cleaning maintenance

**18. Worktop material:**

AISI 304

**19. Worktop Thickness [mm]:**

1.50

**20. Number of zones:**

6

**21. Power consumption of the zone 1 [kW]:**

8,5

**22. Power consumption of the zone 2 [kW]:**

8,5

**23. Power consumption of the zone 3 [kW]:**

8,5

**24. Power consumption of the zone 4 [kW]:**

8,5

**25. Power consumption of the zone 5 [kW]:**

4

**26. Power consumption of the zone 6 [kW]:**

4

**27. Grid material:**

Cast iron

**28. Service accessibility:**

Trough the frontal panel

# Technical data sheet

Technical parameters



## Cooking range gas with gas oven

**Model**

**SAP Code**

00014803

**29. Safety thermocouple:**

Yes

**35. Oven power gas [kW]:**

6.00

**30. Adjustable feet:**

Yes

**36. Oven size:**

GN 2/1

**31. Number of burners/hot plates:**

6

**37. Type of internal part of the appliance 1 (eg oven):**

Gas

**32. Type of gas cooking zones:**

Powerfull

**38. Type of internal part of the appliance 2 (eg oven):**

Static

**33. Burner type:**

Brass, detachable

**39. Gasket:**

Yes

**34. Oven Type:**

gas static